

## Double-Ended Link Shear Beam

### FEATURES

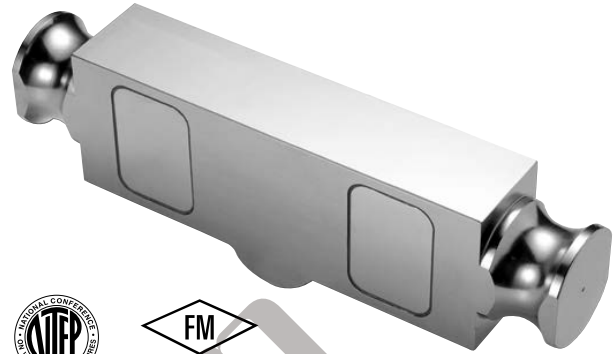
- Capacities 25k–125k lbs
- Center-mounted with double-linked shear beam design
- Free of horizontal movement
- Insensitive to side load
- Electroless nickel-plated alloy tool steel
- NTEP Class III L 10000 for whole series
- **Optional**
  - Surge protection optional for 60k lbs
  - FM approval available

### APPLICATIONS

- Truck/rail scales
- Silo/hopper/tank weighing
- Fork-lift scales

### DESCRIPTION

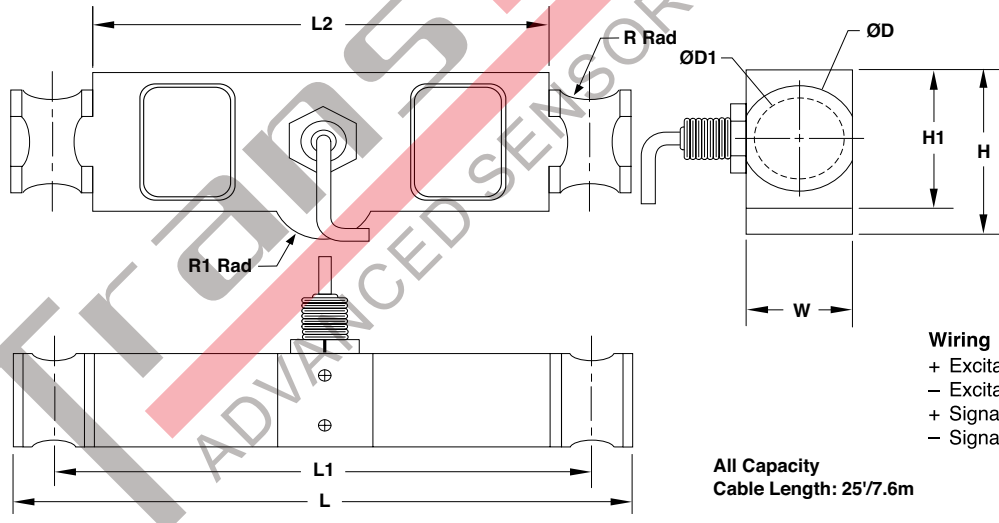
DLB is designed to be center-mounted with double-linked loading. This design provides free movement in



all horizontal directions virtually eliminating binding or friction points. The Shear Beam design gives excellent performance for high capacity loading.

DLB is constructed of alloy steel and fully potted sealed with special chemical compounds to IP67 providing excellent protection against moisture and humidity.

### OUTLINE DIMENSIONS



CAPACITY		L	L <sub>1</sub>	L <sub>2</sub>	W	H	H <sub>1</sub>	D	D <sub>1</sub>	R	R <sub>1</sub>
25k/40k lbs	mm	209.6	184.2	158.8	49.3	75.5	62.0	50.8	41.4	12.7	12.7
	(inch)	8.25	7.25	6.25	1.94	2.97	2.44	2.00	1.63	0.50	0.50
50k/60k/75k lbs	mm	292.1	254.0	215.9	49.3	88.2	74.7	55.9	43.2	19.1	25.4
	(inch)	11.50	10.00	8.50	1.94	3.47	2.94	2.20	1.70	0.75	1.00
100k/125k lbs	mm	368.3	317.5	266.7	73.7	118.9	98.0	81.3	62.0	25.4	38.1
	(inch)	14.50	12.50	10.5	2.90	4.68	3.86	3.20	2.44	1.00	1.50

Double-Ended Link Shear Beam

<b>SPECIFICATIONS</b>			
<b>PARAMETER</b>	<b>VALUE</b>		<b>UNIT</b>
<b>NTEP/OIML accuracy class</b>	NTEP III L	Non-Approved	
<b>Maximum no. of intervals (n)</b>	10000 multiple		
<b>Y = E<sub>max</sub>/V<sub>min</sub></b>	14000	5000	Maximum available
<b>Standard capacities (E<sub>max</sub>)</b>	25k, 40k, 50k, 60k, 75k, 100k, 125k		lbs
<b>Rated output—R.O.</b>	3.0		mV/V
<b>Rated output tolerance</b>	0.25		±% of rated output
<b>Zero balance</b>	1		±% of rated output
<b>Non-linearity</b>	0.025		±% of rated output
<b>Hysteresis</b>	0.025		±% of rated output
<b>Non-repeatability</b>	0.02		±% of rated output
<b>Creep error (20 minutes)</b>	0.030		±% of rated output
<b>Zero return (20 minutes)</b>	0.030		±% of rated output
<b>Temperature effect on min. dead load output</b>	0.0010	0.0026	±% of rated output/°C
<b>Temperature effect on sensitivity</b>	0.0010	0.0015	±% of applied load/°C
<b>Compensated temperature range</b>	-10 to +40		°C
<b>Operating temperature range</b>	-20 to +60		°C
<b>Safe overload</b>	150		% of R.C.
<b>Ultimate overload</b>	300		% of R.C.
<b>Excitation, recommended</b>	10		VDC or VAC RMS
<b>Excitation, maximum</b>	15		VDC or VAC RMS
<b>Input impedance</b>	770±10		Ω
<b>Output impedance</b>	700±5		Ω
<b>Insulation resistance</b>	>5000		MΩ
<b>Construction</b>	Nickel-plated alloy steel		
<b>Environmental protection</b>	IP67		

All specifications subject to change without notice.

FM Approval

Intrinsically Safe: Class I, II, III; Div. 1 Groups A-G

Non-Incendive: Class I; Div. 2 Groups A-D

## Disclaimer

ALL PRODUCTS, PRODUCT SPECIFICATIONS AND DATA ARE SUBJECT TO CHANGE WITHOUT NOTICE.

Vishay Precision Group, Inc., its affiliates, agents, and employees, and all persons acting on its or their behalf (collectively, "VPG"), disclaim any and all liability for any errors, inaccuracies or incompleteness contained herein or in any other disclosure relating to any product.

The product specifications do not expand or otherwise modify VPG's terms and conditions of purchase, including but not limited to, the warranty expressed therein.

VPG makes no warranty, representation or guarantee other than as set forth in the terms and conditions of purchase. **To the maximum extent permitted by applicable law, VPG disclaims (i) any and all liability arising out of the application or use of any product, (ii) any and all liability, including without limitation special, consequential or incidental damages, and (iii) any and all implied warranties, including warranties of fitness for particular purpose, non-infringement and merchantability.**

Information provided in datasheets and/or specifications may vary from actual results in different applications and performance may vary over time. Statements regarding the suitability of products for certain types of applications are based on VPG's knowledge of typical requirements that are often placed on VPG products. It is the customer's responsibility to validate that a particular product with the properties described in the product specification is suitable for use in a particular application. You should ensure you have the current version of the relevant information by contacting VPG prior to performing installation or use of the product, such as on our website at [vpgsensors.com](http://vpgsensors.com).

No license, express, implied, or otherwise, to any intellectual property rights is granted by this document, or by any conduct of VPG.

The products shown herein are not designed for use in life-saving or life-sustaining applications unless otherwise expressly indicated. Customers using or selling VPG products not expressly indicated for use in such applications do so entirely at their own risk and agree to fully indemnify VPG for any damages arising or resulting from such use or sale. Please contact authorized VPG personnel to obtain written terms and conditions regarding products designed for such applications.

Product names and markings noted herein may be trademarks of their respective owners.

Copyright Vishay Precision Group, Inc., 2014. All rights reserved.